

COMMERCIAL CONSTRUCTION • INDUSTRIAL AUTOMATION



Acme Electric®

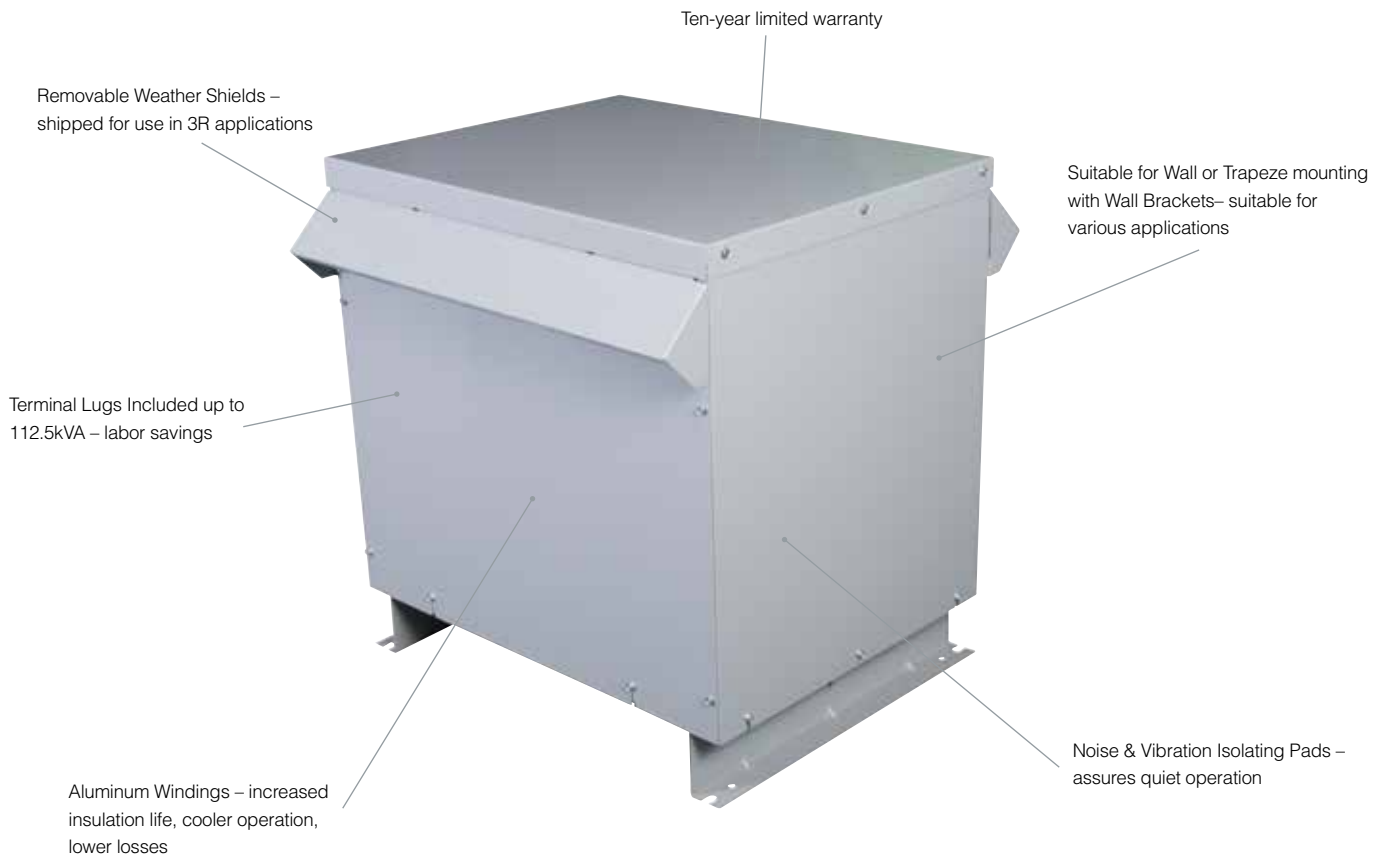


**The cost of energy has
just gone down.**



NEW DOE 2016 Transformers

DOE 2016 Transformer



Meets DOE 2016 Requirements – lower operating cost

Acme Electric is pleased to announce the launch of the **NEW DOE 2016 Product Line** prior to the government mandate of January 1, 2016 allowing our customers to enjoy the savings benefits as soon as possible.

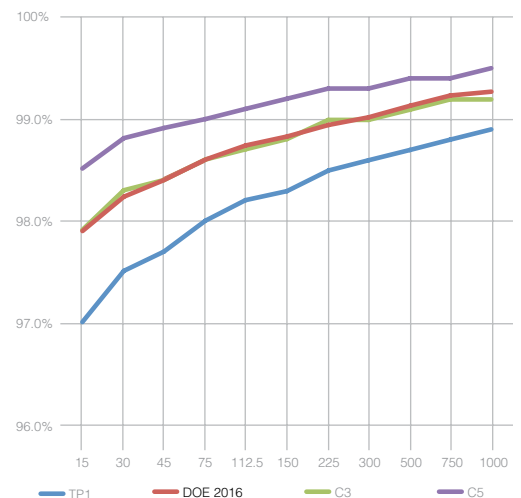
The Department of Energy has mandated new, more stringent efficiency standards for many of the transformers that are utilized throughout industry. The new standard will replace the current TP-1 standard that was put into effect in 2007.

Beginning January 1, 2016 many common distribution transformers will be required to meet these new efficiency standards. The Department of Energy (DOE) has mandated that all of the affected transformers that are manufactured after this date must

meet the new, more stringent energy efficiency standards (DOE 2016).

Acme Electric's new transformer offering is designed to exceed the new DOE 2016 efficiency standards and will have many of the features and benefits that you rely on when you use the Acme Electric product line, including the same footprint as the existing TP-1 units.

We have also added new features. All of the DOE2016 compliant transformers will ship with removable weather shields and both primary and secondary lugs (up to 112.5kVA units). The removable weather shields allow for the unit to be 3R compliant when you receive it, but allows the flexibility to remove them if they are not desired.



Specifications

KVA	Catalog Number	Primary Volts	Secondary Volts	Height (inches)	Width (inches)	Depth (inches)	Weight (lbs)	Design
15	T3015K0173BS	190/200/208/220/240	400Y231	25.50	24.39	19.37	300	E
30	T3030K0173BS	190/200/208/220/240	400Y231	29.41	28.15	22.37	360	E
45	T3045K0173BS	190/200/208/220/240	400Y231	25.50	24.39	19.37	675	E
75	T3075K0173BS	190/200/208/220/240	400Y231	35.47	31.90	26.88	600	E

15	T3015K0063BS	208 Delta	208Y/120	25.50	24.39	19.37	300	E
30	T3030K0063BS	208 Delta	208Y/120	25.50	24.39	19.37	360	E
45	T3045K0063BS	208 Delta	208Y/120	25.50	24.39	19.37	456	E
75	T3075K0063BS	208 Delta	208Y/120	29.41	28.15	22.37	600	E

15	T3015K0033B	208 Delta	480Y/277	25.50	24.39	19.37	300	E
30	T3030K0033B	208 Delta	480Y/277	25.50	24.39	19.37	360	E
45	T3045K0033B	208 Delta	480Y/277	25.50	24.39	19.37	500	E
75	T3075K0033B	208 Delta	480Y/277	29.41	28.15	22.37	600	E
112.5	T3112K0033B	208 Delta	480Y/277	35.47	31.90	26.88	938	E
150	T3150K0033B	208 Delta	480Y/277	41.52	32.90	29.87	1188	E
225	T3225K0033B	208 Delta	480Y/277	41.52	32.90	29.87	1500	E
300	T3300K0033B	208 Delta	480Y/277	45.60	39.50	35.50	1938	E

Available with Electrostatic Shield

15	T3015K0043B	240 Delta	208Y/120	25.50	24.39	19.37	300	E
30	T3030K0043B	240 Delta	208Y/120	25.50	24.39	19.37	360	E
45	T3045K0043B	240 Delta	208Y/120	25.50	24.39	19.37	438	E
75	T3075K0043B	240 Delta	208Y/120	29.41	28.15	22.37	600	E
112.5	T3112K0043B	240 Delta	208Y/120	35.47	31.90	26.88	870	E
150	T3150K0043B	240 Delta	208Y/120	41.52	32.90	29.87	1223	E
225	T3225K0043B	240 Delta	208Y/120	41.52	32.90	29.87	1500	E

Available with Electrostatic Shield

15	T3015K0074B	240 Delta	480Y/277	25.50	24.39	19.37	300	E
30	T3030K0074B	240 Delta	480Y/277	25.50	24.39	19.37	360	E
45	T3045K0074B	240 Delta	480Y/277	25.50	24.39	19.37	475	E
75	T3075K0074B	240 Delta	480Y/277	29.41	28.15	22.37	600	E
112.5	T3112K0074B	240 Delta	480Y/277	35.47	31.90	26.88	859	E
150	T3150K0074B	240 Delta	480Y/277	41.52	32.90	29.87	1216	E

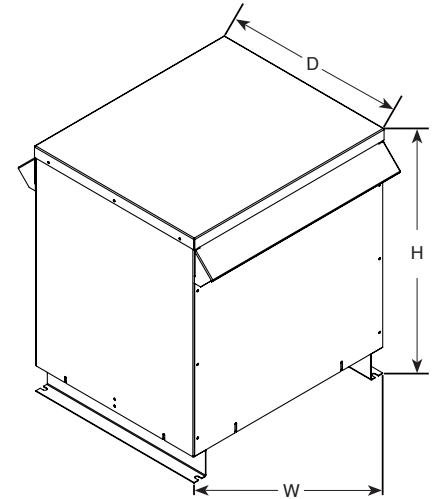
Available with Electrostatic Shield

15	T3015K0013B	480 Delta	208Y/120	25.50	24.39	19.37	300	E
30	T3030K0013B	480 Delta	208Y/120	25.50	24.39	19.37	360	E
45	T3045K0013B	480 Delta	208Y/120	25.50	24.39	19.37	500	E
75	T3075K0013B	480 Delta	208Y/120	29.41	28.15	22.37	600	E
112.5	T3112K0013B	480 Delta	208Y/120	35.47	31.90	26.88	938	E
150	T3150K0013B	480 Delta	208Y/120	41.52	32.90	29.87	1213	E
225	T3225K0013B	480 Delta	208Y/120	41.52	32.90	29.87	1500	E
300	T3300K0013B	480 Delta	208Y/120	45.60	39.50	35.50	1938	E
500	T3500K0013B	480 Delta	208Y/120	57.80	45.60	41.50	3100	G
750	T3750K0013B	480 Delta	208Y/120	62.80	54.00	41.50	4500	G
1000	T31000K0012B	480 Delta	208Y/120	62.80	54.00	41.50	5375	G

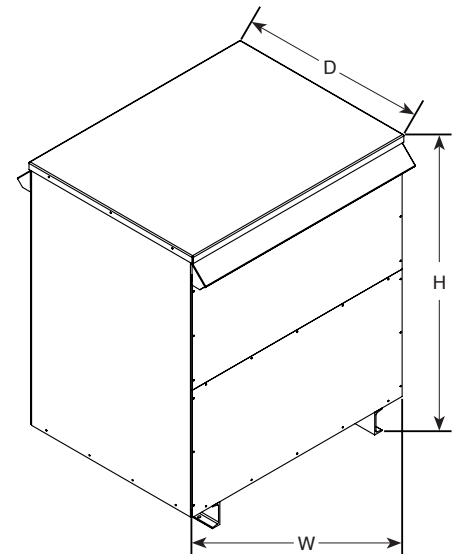
Available with Electrostatic Shield

15	T3015K0013BC	480 Delta	208Y/120	25.50	24.39	19.37	353	E
30	T3030K0013BC	480 Delta	208Y/120	25.50	24.39	19.37	498	E
45	T3045K0013BC	480 Delta	208Y/120	25.50	24.39	19.37	572	E
75	T3075K0013BC	480 Delta	208Y/120	29.41	28.15	22.37	750	E
112.5	T3112K0013BC	480 Delta	208Y/120	35.47	31.90	26.88	1103	E
150	T3150K0013BC	480 Delta	208Y/120	41.52	32.90	29.87	1477	E
225	T3225K0013BC	480 Delta	208Y/120	41.52	32.90	29.87	1872	E
300	T3300K0013BC	480 Delta	208Y/120	45.60	39.50	35.50	2233	E
500	T3500K0013BC	480 Delta	208Y/120	57.80	45.60	41.50	4059	G
750	T3750K0013BC	480 Delta	208Y/120	62.80	54.00	41.50	6192	G

Available with Electrostatic Shield

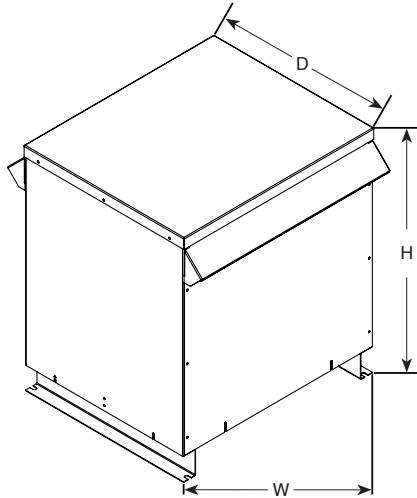


Design E

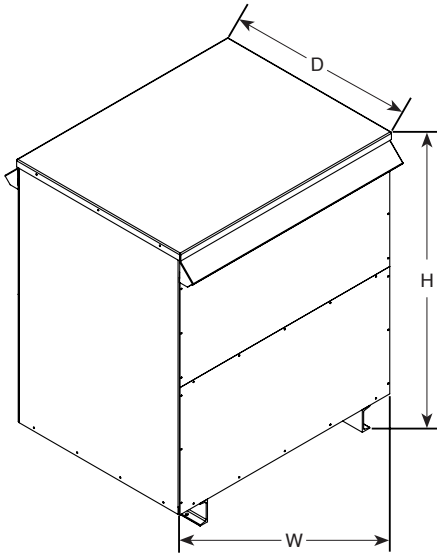


Design G

Specifications



Design E



Design G

KVA	Catalog Number	Primary Volts	Secondary Volts	Height (inches)	Width (inches)	Depth (inches)	Weight (lbs)	Design
15	T3015K0013BSF	480 Delta	208Y/120	25.50	24.39	19.37	372	E
30	T3030K0013BSF	480 Delta	208Y/120	29.41	28.15	22.37	533	E
45	T3045K0013BSF	480 Delta	208Y/120	29.41	28.15	22.37	617	E
75	T3075K0013BSF	480 Delta	208Y/120	35.47	31.90	26.88	793	E
112.5	T3112K0013BSF	480 Delta	208Y/120	41.52	32.90	29.87	1125	E
150	T3150K0013BSF	480 Delta	208Y/120	41.52	32.90	29.87	1406	E
225	T3225K0013BSF	480 Delta	208Y/120	45.60	39.50	35.50	2298	E
300	T3300K0013BSF	480 Delta	208Y/120	45.60	39.50	35.50	2319	E
500	T3500K0013BSF	480 Delta	208Y/120	57.80	45.60	41.50	4156	G

15	T3015K0013BSB	480 Delta	208Y/120	25.50	24.39	19.37	378	E
30	T3030K0013BSB	480 Delta	208Y/120	25.50	24.39	19.37	550	E
45	T3045K0013BSB	480 Delta	208Y/120	29.41	28.15	22.37	755	E
75	T3075K0013BSB	480 Delta	208Y/120	35.47	31.90	26.88	1054	E
112.5	T3112K0013BSB	480 Delta	208Y/120	41.52	32.90	29.87	1454	E
150	T3150K0013BSB	480 Delta	208Y/120	41.52	32.90	29.87	1729	E

15	T3015K0023B	480 Delta	240 Delta	25.50	24.39	19.37	300	E
30	T3030K0023B	480 Delta	240 Delta	25.50	24.39	19.37	360	E
45	T3045K0023B	480 Delta	240 Delta	25.50	24.39	19.37	500	E
75	T3075K0023B	480 Delta	240 Delta	29.41	28.15	22.37	600	E
112.5	T3112K0023B	480 Delta	240 Delta	35.47	31.90	26.88	938	E
150	T3150K0023B	480 Delta	240 Delta	41.52	32.90	29.87	1406	E
225	T3225K0023B	480 Delta	240 Delta	41.52	32.90	29.87	1500	E
300	T3300K0023B	480 Delta	240 Delta	45.60	39.50	35.50	1938	E
500	T3500K0023B	480 Delta	240 Delta	57.80	45.60	41.50	3344	G
750	T3750K0023B	480 Delta	240 Delta	62.80	54.00	41.50	4260	G

Available with Electrostatic Shield

15	T3015K0053B	480 Delta	480Y/277	25.50	24.39	19.37	300	E
30	T3030K0053B	480 Delta	480Y/277	29.41	28.15	22.37	360	E
45	T3045K0053B	480 Delta	480Y/277	29.41	28.15	22.37	500	E
75	T3075K0053B	480 Delta	480Y/277	29.41	28.15	22.37	600	E
112.5	T3112K0053B	480 Delta	480Y/277	35.47	31.90	26.88	888	E
150	T3150K0053B	480 Delta	480Y/277	41.52	32.90	29.87	1444	E
225	T3225K0053B	480 Delta	480Y/277	41.52	32.90	29.87	1513	E
300	T3300K0053B	480 Delta	480Y/277	45.60	39.50	35.50	2000	E

Available with Electrostatic Shield

15	T3015K0083BS	600 Delta	208Y/120	25.50	24.39	19.37	300	E
30	T3030K0083BS	600 Delta	208Y/120	25.50	24.39	19.37	360	E
45	T3045K0083BS	600 Delta	208Y/120	25.50	24.39	19.37	500	E
75	T3075K0083BS	600 Delta	208Y/120	29.41	28.15	22.37	600	E
112.5	T3112K0083BS	600 Delta	208Y/120	35.47	31.90	26.88	938	E
150	T3150K0083BS	600 Delta	208Y/120	41.52	32.90	29.87	1213	E
225	T3225K0083BS	600 Delta	208Y/120	41.52	32.90	29.87	1500	E

15	T3015K0323BS	600 Delta	240 Delta	25.50	24.39	19.37	300	E
30	T3030K0323BS	600 Delta	240 Delta	25.50	24.39	19.37	360	E
45	T3045K0323BS	600 Delta	240 Delta	25.50	24.39	19.37	441	E
75	T3075K0323BS	600 Delta	240 Delta	29.41	28.15	22.37	600	E

15	T3015K0093BS	600 Delta	480Y/277	25.50	24.39	19.37	300	E
30	T3030K0093BS	600 Delta	480Y/277	29.41	28.15	22.37	360	E
45	T3045K0093BS	600 Delta	480Y/277	29.41	28.15	22.37	531	E
75	T3075K0093BS	600 Delta	480Y/277	29.41	28.15	22.37	600	E
112.5	T3112K0093BS	600 Delta	480Y/277	35.47	31.90	26.88	938	E
150	T3150K0093BS	600 Delta	480Y/277	41.52	32.90	29.87	1406	E



Acme Electric®