

PHILIPS
Day-Brite
CFI

Recessed

ClearAppeal
LED 2x4

3600, 4200, 5500,
or 7000 lumens



Project: _____
 Location: _____
 Cat.No: _____
 Type: _____
 Lamps: _____ Qty: _____
 Notes: _____

The Philips Day-Brite / Philips CFI ClearAppeal Recessed Architectural LED offers smooth brightness across the face of the luminaire and provides excellent visual comfort. Its modern architectural styling complements any space.

Ordering guide

Example: 2CAG42L840-4-DS-UNV-DIM

Width	Family	Ceiling Type	Lumens	Color	Length	Center Diffuser	Voltage	Dimming	Options
2	CA				4	DS			
2 2'	CA ClearAppeal	G Grid F Flange	36L 3600 nominal delivered lumens 42L 4200 nominal delivered lumens 55L 5500 nominal delivered lumens 70L 7000 nominal delivered lumens	830 80 CRI, 3000K 835 80 CRI, 3500K 840 80 CRI, 4000K	4 4'	DS Diffuse (smooth)	UNV Universal Voltage, 120-277 volt 347 347V	DIM 0-10V dimming (control leads factory installed and extended to access plate) SDIM ¹ Step dimming to 40% input power	F1 3/8" flex, 3 wire 18 gauge F2 3/8" flex, 4 wire 18 gauge F1/D 3/8" twin flex, 3 wire 18 gauge for dimmable luminaires. F2/SW 3/8" single flex, 5 wire 18 gauge for dimmable luminaires. GLR1 Fusing, fast blow EMLED Integral emergency battery pack (requires ballast enclosure on top of luminaire) OCC Integral sensor, occupancy DAY Integral sensor, daylighting DAYOCC Integral sensor, daylighting and occupancy

Footnotes

1 SDIM may not be available on all products. Consult factory.

Accessories (order separately)

- FMA24 – 2'x4' "F" mounting frame for NEMA "F" mounting



2CA ClearAppeal Recessed LED 2x4

3600, 4200, 5500, or 7000 lumens

Application

- Modern architectural styling to complement any space.
- Smooth brightness across the face of the luminaire prevents glare and provides excellent visual comfort.
- Directs a controlled amount of light to higher angles to eliminate “cave effect” without creating glare.
- Ideal for modern offices, schools and retail environments.
- Excellent luminaire efficacy provides significant energy savings.
- High CRI source provides excellent color rendering.
- LEDs are an excellent source for use with controls since frequent switching does not affect the life of the light source.
- Grid and Flange models available.

- Certain luminaire components may be adversely affected by contaminants. If sulfur, chlorine, or petroleum based solutions, or other contaminants will be in the area of operation, please consult factory as damage caused by these contaminants is not covered under our limited warranty.

Construction/Finish

- One piece die-formed embossed steel housing provides added rigidity, resists damage during shipment/handling.
- T-bar grid clips are built into luminaire ends for quick and easy installation, no extra parts required.
- Suitable for end-to-end mounting.
- End K.O.s for thru wiring or conduit entry in shallow plenums.

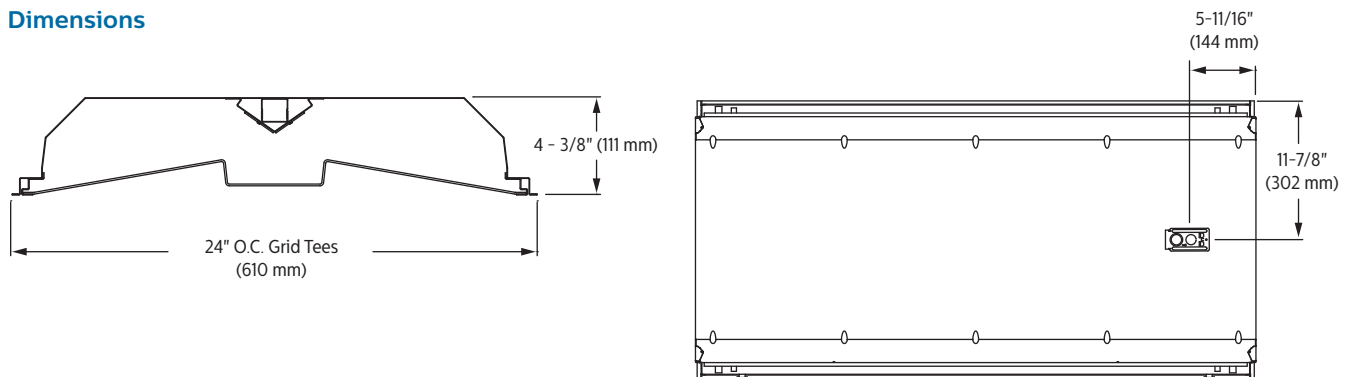
Electrical

- Driver and LED boards are easily accessible from below. LED boards are individually replaceable if required.
- 0-10V dimming is standard.
- Five-year luminaire limited warranty including LED boards and driver.
- High efficiency LEDs have 50,000 hour L70 rated life (defined as 70% lumen maintenance.)
- ETL listed to UL standards, suitable for damp locations.
- ClearAppeal luminaires are Designlights Consortium® qualified. Please see the DLC QPL list for exact catalog numbers (<http://www.designlights.org/QPL>).

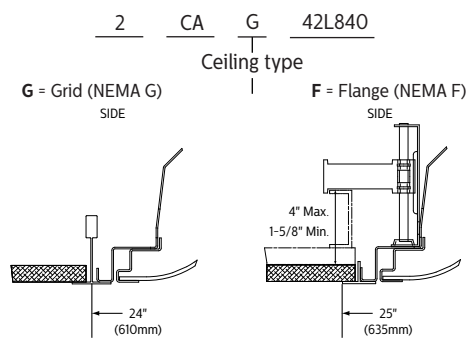
Enclosure

- Single piece thermo formed acrylic lens with smooth center diffuser (DS).

Dimensions

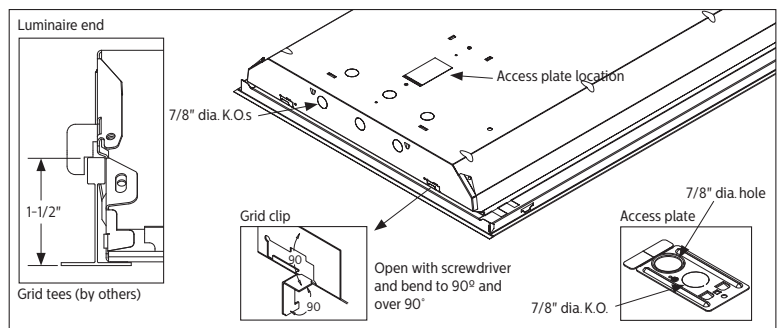


Ceiling configuration



(NEMA Type G)
Lay-in acoustical ceilings using exposed grid suspension, with tees for luminaires on 24" x 48" spacing.

(NEMA Type F)
Flange for acoustical ceilings using concealed mechanical suspension. Swing-jack mounting brackets: adjustment 4" max and 1-5/8" min. Refer to sheet 801-CL for cut-out information.



2CA ClearAppeal Recessed LED 2x4

3600, 4200, 5500, or 7000 lumens

Photometry

2x4 ClearAppeal Recessed LED, 3600 nominal delivered lumens

LER – 110

Catalog No.	2CAG36L840-4-DS-UNV	Candlepower				Light Distribution			Average Luminance			
		Angle	End	45	Cross	Degrees	Lumens	% Luminaire	Angle	End	45°	Cross
Test No.	34003	0	1220	1220	1220	0-30	949	26.2	45	1742	1806	1848
S/MH	1.3	5	1212	1215	1218	0-40	1554	43.0	55	1665	1767	1844
Lamp Type	LED	15	1167	1174	1180	0-60	2767	76.5	65	1535	1731	1873
Lumens	3617	25	1077	1089	1099	0-90	3616	100.0	75	1302	1772	1992
Input Watts	32.8	35	949	970	983				85	836	1423	1392
		45	794	823	842	Coefficients of Utilization						
Comparative yearly lighting energy cost per 1000 lumens – \$2.18 based on 3000 hrs. and \$.08 pwr KWH.		55	615	653	681	EFFECTIVE FLOOR CAVITY REFLECTANCE 20 PER (pfc=0.20)						
The photometric results were obtained in the Philips Day-Brite laboratory which is NVLAP accredited by the National Institute of Standards and Technology.		65	418	471	510	pcc						
Photometric values based on test performed in compliance with LM-79.		75	217	295	332	pw						
		85	47	80	78	RCR						
						0						
						1						
						2						
						3						
						4						
						5						
						6						
						7						
						8						
						9						
						10						

2x4 ClearAppeal Recessed LED, 4200 nominal delivered lumens

LER – 110

Catalog No.	2CAG42L840-4-DS-UNV	Candlepower				Light Distribution			Average Luminance			
		Angle	End	45	Cross	Degrees	Lumens	% Luminaire	Angle	End	45°	Cross
Test No.	34005	0	1482	1482	1482	0-30	1153	26.2	45	2119	2196	2245
S/MH	1.3	5	1472	1476	1479	0-40	1888	42.9	55	2022	2153	2241
Lamp Type	LED	15	1417	1427	1433	0-60	3366	76.4	65	1866	2115	2280
Lumens	4406	25	1309	1324	1334	0-90	4406	100.0	75	1585	2181	2428
Input Watts	40.1	35	1154	1178	1193	0-180	4406	100.0	85	1010	1708	1753
		45	965	1000	1023	Coefficients of Utilization						
Comparative yearly lighting energy cost per 1000 lumens – \$2.18 based on 3000 hrs. and \$.08 pwr KWH.		55	747	795	828	EFFECTIVE FLOOR CAVITY REFLECTANCE 20 PER (pfc=0.20)						
The photometric results were obtained in the Philips Day-Brite laboratory which is NVLAP accredited by the National Institute of Standards and Technology.		65	508	576	621	pcc						
Photometric values based on test performed in compliance with LM-79.		75	264	364	405	pw						
		85	57	96	98	RCR						
						0						
						1						
						2						
						3						
						4						
						5						
						6						
						7						
						8						
						9						
						10						

2CA ClearAppeal Recessed LED 2x4

3600, 4200, 5500, or 7000 lumens

2x4 ClearAppeal Recessed LED, 5500 nominal delivered lumens

LER – 108

Catalog No.	2CAG55L840-4-DS-UNV	Candlepower				Light Distribution			Average Luminance							
		Angle	End	45	Cross	Degrees	Lumens	% Luminaire	Angle	End	45°	Cross				
Test No.	34006	0	1870	1870	1870	0-30	1454	26.2	45	2674	2770	2835				
S/MH	1.3	5	1858	1863	1867	0-40	2383	42.9	55	2556	2713	2830				
Lamp Type	LED	15	1788	1800	1809	0-60	4245	76.5	65	2364	2663	2884				
Lumens	5553	25	1651	1670	1685	0-90	5551	100.0	75	2009	2731	3076				
Input Watts	51.3	35	1457	1486	1507				85	1300	2193	2163				
		45	1218	1261	1291	Coefficients of Utilization										
Comparative yearly lighting energy cost per 1000 lumens – \$2.22 based on 3000 hrs. and \$.08 pwr KWH.		55	944	1002	1045	EFFECTIVE FLOOR CAVITY REFLECTANCE 20 PER (pfc=0.20)										
		65	643	725	785	pcc	80			70			50			
The photometric results were obtained in the Philips Day-Brite laboratory which is NVLAP accredited by the National Institute of Standards and Technology.		75	335	455	513	pw	70	50	30	70	50	30	50	30		
		85	73	123	121	RCR										
Photometric values based on test performed in compliance with LM-79.		Coefficients of Utilization														
		EFFECTIVE FLOOR CAVITY REFLECTANCE 20 PER (pfc=0.20)														
		0	118	118	118	115	115	115	111	111						
		1	108	103	98	105	101	96	96	93						
		2	97	89	81	94	88	81	83	78						
		3	89	78	69	86	77	68	73	67						
		4	81	68	59	79	68	58	65	57						
		5	75	61	52	72	60	52	57	51						
		6	68	55	46	67	54	46	53	45						
		7	64	50	40	61	48	40	47	40						
		8	59	46	36	57	45	36	44	35						
		9	56	41	34	54	40	33	40	33						
		10	52	39	30	51	38	30	36	29						

2x4 ClearAppeal Recessed LED, 7000 nominal delivered lumens

LER – 105

Catalog No.	2CAG70L840-4-DS-UNV	Candlepower				Light Distribution			Average Luminance							
		Angle	End	45	Cross	Degrees	Lumens	% Luminaire	Angle	End	45°	Cross				
Test No.	34013	0	2442	2442	2442	0-30	1900	26.1	45	3486	3625	3703				
S/MH	1.3	5	2425	2433	2439	0-40	3113	42.8	55	3332	3557	3696				
Lamp Type	LED	15	2333	2351	2363	0-60	5549	76.3	65	3077	3505	3760				
Lumens	7269	25	2155	2184	2200	0-90	7269	100.0	75	2600	3628	4005				
Input Watts	69.2	35	1898	1944	1968				85	1660	2789	2805				
		45	1588	1651	1686	Coefficients of Utilization										
Comparative yearly lighting energy cost per 1000 lumens – \$2.29 based on 3000 hrs. and \$.08 pwr KWH.		55	1231	1314	1365	EFFECTIVE FLOOR CAVITY REFLECTANCE 20 PER (pfc=0.20)										
		65	838	954	1023	pcc	80			70			50			
The photometric results were obtained in the Philips Day-Brite laboratory which is NVLAP accredited by the National Institute of Standards and Technology.		75	433	605	668	pw	70	50	30	70	50	30	50	30		
		85	93	157	157	RCR										
Photometric values based on test performed in compliance with LM-79.		Coefficients of Utilization														
		EFFECTIVE FLOOR CAVITY REFLECTANCE 20 PER (pfc=0.20)														
		0	118	118	118	115	115	115	111	111						
		1	108	103	98	105	101	96	96	93						
		2	97	89	81	94	86	81	83	78						
		3	89	78	69	86	77	68	73	67						
		4	81	68	59	79	68	58	65	57						
		5	75	61	52	72	59	52	57	51						
		6	68	55	46	67	54	46	53	45						
		7	64	50	40	61	48	40	47	40						
		8	59	46	36	57	45	36	44	35						
		9	56	41	34	54	40	33	40	33						
		10	52	39	30	51	38	29	36	29						

© 2014 Koninklijke Philips N.V. All rights reserved.
 Philips reserves the right to make changes in specifications and/or to discontinue any product at any time without notice or obligation and will not be liable for any consequences resulting from the use of this publication.
philips.com/luminaires



Philips Lighting North America Corporation
 200 Franklin Square Drive, Somerset, NJ 08873
 Tel. 855-486-2216

Imported by: Philips Lighting
 A division of Philips Electronics Ltd.
 281 Hillmount Road, Markham, ON, Canada L6C 2S3
 Tel. 800-668-9008