

Coming Soon

Philips Day-Brite / CFI

FluxStream LED Strip

Internal Use Only



Dana Wallace, Product Manager
December 2016

Philips Day-Brite/CFI FluxStream

Current FluxStream



New FluxStream

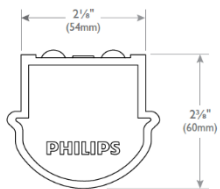


In Feb 2017, the current FluxStream Strip and FluxStream Reflector will be replaced by a new design. **Please advise any long term customers or stocking distributors of the coming change.**

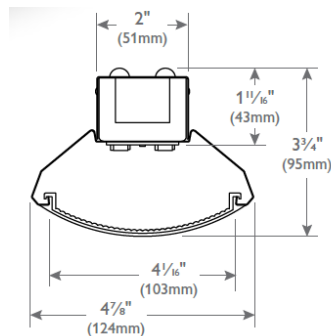
Philips Day-Brite/CFI FluxStream

Current FluxStream

- Up to 6000 lumens per 4'
- Efficacies >100 lm/w
- Ambient temp 25/35C
- Emergency requires housing extension
- Metal Reflector version
- Plastic end cap
- 2'/3'/4'/8' lengths
- 3000/3500/4000/5000K color temps
- Optional field or factory installed motion detector
- 80+ CRI
- 0-10V and step-dimming options
- DALI, MarkX, or Lutron driver options
- Available in all standard voltages 120V - 347V
- DLC listed



LF4/LF8



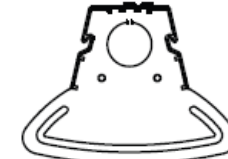
LFR4

New FluxStream

- Up to 7000 lumens per 4'
- Efficacies > 120 lm/w
- Ambient temp up to 40C
- Emergency is integral to standard housing
- Sheet metal end cap
- Uplight lens version (FSI industrial) replaces reflector
- FluxStream EZ will have same housing as standard
- 2'/3'/4'/8' lengths
- 3000/3500/4000/5000K color temps
- Optional field or factory installed motion detector
- 80+ CRI
- 0-10V and step-dimming options
- DALI, MarkX driver options (**Lutron as ETO**)
- Available in all standard voltages 120V - 347V
- DLC listed



FSS4/FSS8



FSI4/FSI8

PHILIPS

