



COMMERCIAL, INDUSTRIAL AND RESIDENTIAL ELECTRICAL PRODUCTS

POLYCARBONATE ENCLOSURES

The most durable and reliable polycarbonate enclosures available!

Dimensional Requirements 6"×6" to 24"×24"



Food & Beverage Processing, Washdown Areas, Corrosive Environments, Harsh Locations, Process, Automation, Waste Water Treatment, Oil/Gas Pharmaceutical, Mining, Coastal Installations



POLYCARBONATE ENCLOSURES

Made in the U.S.A., polycarbonate enclosures can withstand rain, sleet, snow, splashing water, hose directed water and submersion --- and provide superior impact and flame protection!

- Latches and hinges do not penetrate enclosure
- Easy to remove lid
- High performance inserts
- Integrated lock hasp
- Flush-fit side mount swing panel and DIN rail system
- Molded in bosses
- Multi-directional mounting feet
- Rated Type 3R, 4, 4X, 6P, 12
- Rated IEC IP66, IP67, IP68
- UL/cUL Approved

Side Mount Solutions

- Increases Usable Space
- Provides more Mounting Options
 - DIN rails
 - Side panels
 - Equipment
- Aluminum slot nuts
 - Variable mounting heights
 - #10-32 machine screw



Panel Systems

- Sub-panel Mounting Solution – Revolutionary design
 - Variable height mounting
 - Swings open from any side
 - Panel locks into open position
 - Mounting holes are standard JIC
- 0.08" Aluminum Panels
- Back Panels are standard JIC



UL 94 - Flame Rating - 5VA

Enclosures provide the highest (most flame retardant) UL 94 rating available.



POLYCARBONATE ENCLOSURES

Outstanding Resistance to Environmental Exposure from -20°F to +240°F

Non-Metallic enclosures are intended to be utilized for outdoor and indoor applications. The polycarbonate contained in the non-metallic as well as the enclosure have passed UL tests for suitability. The polycarbonate resin has received the best rating, an "F1" per UL 746C. This means that the resin has passed tests for UV exposure and water immersion. The enclosures are rated 3R, 4, 4X, 6P, 12 per UL 50 and IP66, IP67, IP68 per IEC 60529. This means that the enclosure provides protection against ingress (of rain, sleet, snow, splashing water, and hose directed water and submersion), impact, and flame protection. The material rating and the product rating can assure the user that the enclosures are suitable for outdoor use and exposure.

Low Temperature Performance

Non-Metallic enclosures are manufactured with polycarbonate designed to perform in cold weather applications. In general, the product performance will not be adversely affected until temperatures below -40°F are realized. At temperatures below this level, stress, tension, and pressure could start to impact the enclosure's reliability. This includes the latching, opening and/or incidental impacts. In the absence of these potential threats, the enclosures should remain unaffected by the low temperatures. Upon return of temperatures above -40°F, performance reliability should return to normal.

We recommend a normal operating temperature of -20°F to +240°F (-20°C to +115°C). We do this to provide a safe operating range, as product application and enclosure placement is determined by the end user, not by Wiegmann. End-use testing of specific applications and enclosure placements are key to determining the application specific limits.

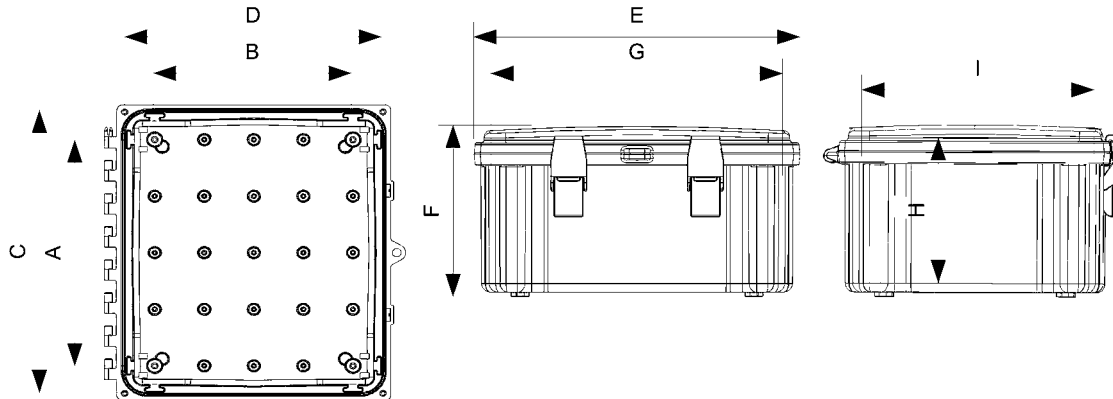
ENCLOSURE CATALOG NUMBER		ENCLOSURE SIZE	ALUMINUM BACK PANEL	SWING PANEL KITS (MOUNTS, SCREWS AND PANEL INCLUDED)
OPAQUE	CLEAR			
HW-P60604CHQR	HW-PCC60604CHQR	6x6x4	HW-MP606A	HW-P606SPK
HW-P80604CHQR	HW-PCC80604CHQR	8x6x4	HW-MP806A	HW-P806SPK
HW-P100804CHQR	HW-PCC100804CHQR	10x8x4	HW-MP1008A	HW-P1008SPK
HW-P121006CHQR	HW-PCC121006CHQR	12x10x6	HW-MP1210A	HW-P1210SPK
HW-P141206CHQR	HW-PCC141206CHQR	14x12x6	HW-MP1412A	HW-P1412SPK
HW-P161408CHQR	HW-PCC161408CHQR	16x14x8	HW-MP1614A	HW-P1614SPK
HW-P181610CHQR	HW-PCC181610CHQR	18x16x10	HW-MP1816A	HW-P1816SPK
HW-P242410CHQR	HW-PCC242410CHQR	24x24x10	HW-MP2424PCA	HW-P2424SPK

ACCESSORIES

PART #	SIZE	DESCRIPTION
HW-PSNK	6 × 6	Slot Nut Kit (includes two nuts & two screws)
HW-PSPMK	8 × 6	Swing Panel Mounts (4 per kit)
HW-PLATCHKIT	10 × 8	Latch kit (2 latches per kit) - replacement only
HW-PACCKIT	10 × 8	Accessory kit (includes all screws, inserts, and mounting feet) - replacement only



POLYCARBONATE ENCLOSURES



DIMENSIONS (INCHES)

ENCLOSURE	A X B	C	D	E	F	G	H	I	BACK PANEL	SUB-PANEL
6 x 6 x 4	4.25 x 4.25	6.75	6.75	5.7	5.7	6.3	5	6.3	4.88 x 4.88	5.625 x 5.625
8 x 6 x 4	6.25 x 4.25	8.75	6.75	9.4	5.7	8.3	5	6.3	6.88 x 4.88	7.625 x 5.625
10 x 8 x 4	8.25 x 6.25	10.75	8.75	11.4	6.2	10.3	5.5	8.3	8.88 x 6.88	9.625 x 7.625
12 x 10 x 6	10.25 x 8.25	12.75	10.75	13.4	7.7	12.3	7	10.3	10.88 x 8.88	11.625 x 9.625
14 x 12 x 6	12.25 x 10.25	14.75	12.75	15.4	7.7	14.3	7	12.3	12.88 x 10.88	13.625 x 11.625
16 x 14 x 8	14.25 x 12.25	16.75	14.75	17.4	9.7	16.3	9	14.3	14.88 x 12.88	15.625 x 13.625
18 x 16 x 10	16.25 x 14.25	18.75	16.75	19.4	11.7	18.3	11	16.3	16.88 x 14.88	17.625 x 13.625
24 x 24 x 10	22.25 x 22.25	24.75	24.75	25.4	11.7	24.3	11	24.3	22.75 x 22.75	23.625 x 23.625

ENGINEERING PROPERTIES

TYPICAL PROPERTIES	TYPICAL VALUES	UNIT	STANDARD
Flammability (resin/component)	V-0 / 5V-A		UL 94
UV-light	F1		UL 746C
Enclosure Types	3R, 4, 4X, 6P, 12 / IP66, IP67, IP68		UL 50 / IEC 60529
Falling Dirt Impact (D 3029), 73°F	124	ft-lb	ASTM D 3029
Izod Impact, unnotched, 73°F	60	ft-lb/in	ASTM D 4812
Tensile Impact, Type "S"	250	ft-lb/in ²	ASTM D 1822
HDT, 264 psi, 0.250", unannealed	270	°F	ASTM D 648
CTE, flow, -40°F to 200°F	3.80E-05	1/°F	ASTM E 831
Flexural Stress, yld, 0.05 in/min, 2 in span	13100	psi	ASTM D 790
Normal Temperature Range	-20 to +240 (-20 to +115)	°F (°C)	
Volume Resistivity	>1.E+17	Ohm-cm	ASTM D 257

